

Option



Stand for the WS-21

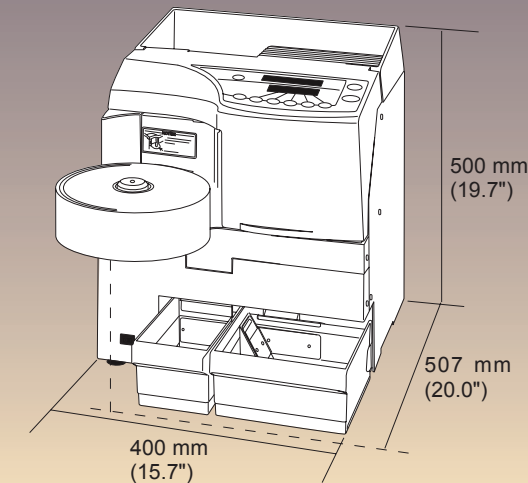
A dedicated stand is available that attaches directly and securely to the WS-21. This stand helps increase the speed and ease of coin wrapping operations — coin bags can be attached to the counter for handling large volumes of coins.

Specifications

Counting Speed	1,600 coins/min.	USA: 1 cent coin Euro: 1 Euro cent coin
Wrapping Speed	12 rolls/min.	USA: 5 cent coin (20 coins) Euro: 1 Euro coin (25 coins)
Hopper Capacity	1,000 coins [diameter: 23.5 mm (0.92"), thickness: 1.5 mm (0.059")]	
Acceptable Coins	Diameter: 16 – 32.2 mm (0.63" – 1.26") Thickness: 1.0 – 3.0 mm (0.039" – 0.118") Roll Length: 35 – 125 mm (1.38" – 4.92") (Round only – The WS-21 may not be able to wrap some types of coin designs and materials.)	
No. Coins per Roll	Preset for each denomination.	
Batch Settings	Counting: Unlimited (until no coins are left in the hopper), 500 and 1,000. Batch size can also be user set to 1 to 99,999 coins. Wrapping: Unlimited (until no coins are left in the hopper). Batch size can also be user set to 1 to 99,999 rolls.	
Dimensions	400 (W) x 500 (H) x 507 (D) mm (15.7" x 19.7" x 20.0")	
Weight	55 kg (121.3 lbs.)	
Power Supply	AC 100-120V or AC 220-240V, 50-60Hz 2.3A (AC 100-120V), 1.5A (AC 220-240V)	
Power Consumption	210W	

Dimensions

Weight: 55kg (121.3 lbs.)



\*Specifications are subject to change without notice.  
\*Please carefully read the instruction manual to ensure correct equipment usage.  
\*Copyright © 2010 GLORY LTD. ALL Right Reserved.



# Compact Coin Counting and Wrapping Machine

WS-21



- Compact size ideally suited for use at branch locations.
- Offers a high level of performance and low-maintenance operation.
- Exceptionally user-friendly operations.



We Secure the Future

Manufactured by  
**GLORY LTD.**  
<http://www.glory.co.jp/en>  
Akihabara UDX, 4-14-1 Soto-Kanda, Chiyoda-Ku, Tokyo 101-8977, Japan  
Tel: +81-3-5207-3110 / Fax: +81-3-5207-3030

U.S.A.  
**GLORY (U.S.A.) Inc.**  
Corporate Headquarters  
10 York Avenue, West Caldwell, NJ 07006  
Tel: +1-800-999-4510 / Fax: +1-973-228-7114

EUROPE  
**GLORY Europe GmbH**  
Königsberger Str. 1, 60487 Frankfurt am Main, Germany  
Tel: +49-69-7953 880 / Fax: +49-69-7953 8870

SOUTHEAST ASIA & OCEANIA  
**GLORY Money Handling Machines Pte. Ltd.**  
331 North Bridge Road #20-03/05 Odeon Towers Singapore (188720)  
Tel: +65-6837-2813 / Fax: +65-6837-2803

HONG KONG  
**GLORY Cash Handling Systems (China) Ltd.**  
Room 704-5, 7/F, Lu Plaza, 2 Wing Yip St., Kwun Tong, Kowloon, Hong Kong  
Tel: +852-2628-1800 / Fax: +852-2628-1802

CHINA  
**GLORY International Trading (Shanghai) Co., Ltd.**  
8401-405, Far East International Plaza, No. 317 Xianxia Road, Shanghai 200051, P.R. of China  
TEL: +86-21-6235-1008 / FAX: +86-21-6235-0226

Distributed by:



# Offers a High Level of Performance

The WS-21 is our compact tabletop model. This device proudly features the highest level of performance and product specifications in its class. Featuring a consistent set of operations for all coin counting and wrapping procedures, the WS-21 is perfectly suited for locations where a compact wrapper is needed, such as financial institutions, banks, retail shops, casinos, railway stations and hotels. The power of the sleek, compact WS-21 comes into full play in a variety of business situations.

## Glory — The world's leading manufacturer of coin wrapping machines

Glory products, backed by our outstanding technologies, promise quality, functionality, operability and durability.



Supermarkets  
Casinos  
Game arcades

Retail Shops  
Hotels  
Banks



## Tabletop unit for coin counting and wrapping

### Fast counting and wrapping speeds — the best in its class

- The WS-21 can wrap up to 12 rolls per minute — the fastest processing speed for this class of device. The WS-21 can also be used with only the coin counting functions.
- The batch coin counting setting can be selected from three preset amounts — unlimited, 500 and 1,000, and can also be user set to any value from 1 to 99,999 coins. The batch coin wrapping setting can also be user set from 1 to 99,999 rolls.
- The coin hopper holds a maximum of 1,000 coins (coin diameter = 23.5 mm, thickness = 1.5 mm), and the wrapped coin box holds 20 rolls (50-coin rolls, coin diameter = 23.5 mm, thickness = 1.5 mm).

### Easy-to-use numeric keypad for smooth, efficient operation

All counting, wrapping, and denomination settings can be made easily from the user-friendly operation panel.



### Waste is eliminated thanks to the WS-21's efficient wrapping paper pickup and selection system

Operation control functions are activated automatically according to the coin type, and the device structure

and design make efficient use of coin wrapping paper. The coin wrapping paper is automatically cut to the right length for the coin diameter — a paper-saving feature that provides waste-free operation.

### Easy recovery from coin jams

The WS-21 has a simple design that makes it easy to recover from coin jams in the unlikely event one does occur.



## The WS-21 makes it possible to wrap coins in-house

Free your business from the need to outsource coin wrapping work. The WS-21 makes it possible to handle all your coin wrapping needs right when and where coin wrapping operation is needed, at your company, at retail shops, bank branches, casinos, etc.

One counter per shop.  
One counter per sales counter.  
One counter per person.

Retail Shops, Etc.

